

OVERVIEW

With a design life of 20+ years and superior in-rush current and surge-protection features, the DLL Elite support the extended life and low maintenance benefits associated with LED fixtures.

FEATURES

APPLICATIONS

- LED lighting fixtures that require dusk to dawn control
- High inrush current fixtures
- Designed to last as long as your LED lighting system, 20 + years
- LED inrush protection with triac assisted relay
- Extreme surge protection of 1280J/40kA utility or 2120J/40kA UL listed
- Double thick enclosure and lens with additional UV inhibitor
- High temp base plastic tested to 140°C
- Long life capacitors
- Full wave rectified power supply
- Dual zener diodes for long life
- Solid brass contact blades
- Double sided, thru hole plated .062" FR4 circuit board
- Conformal coated printed circuit board
- Sealed packaging for extended storage

SPECIFICATIONS

REGULATORY LISTINGS

- ANSI C136.10
- ROHS compliant
- UL listed to U.S. and Canadian safety standards
- Surge rated in excess of ANSI C136.10 to 20kV/10kA

OPERATING CHARACTERISTICS

- Voltage 120 to 480 VAC, 60Hz
- Load rating: 1000 watts, 1800 VA ballast
- Average power consumption: <0.5 watts @ 120V

Warranty

Ten-year limited warranty. Complete warranty terms located at: www.acuitybrands.com/CustomerResources/Terms_and_conditions.aspx

Note: Actual performance may differ as a result of end-user environment and application. Specifications subject to change without notice.



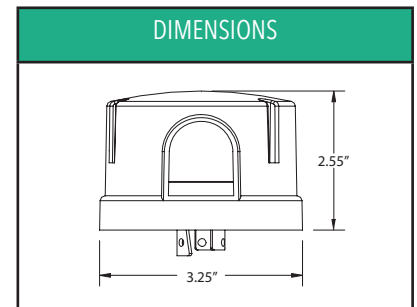
DTL®

DLL Elite

Electronic Locking Type Photocontrol



DIMENSIONS



DLL STANDARD COLORS

	Non-UL	UL
120-277V	Green	Blue
347V	Green	Green
480V	Yellow	Yellow

ORDERING INFORMATION

DLL PHOTOCONTROL							Example: DLL127 1.5 J50	
Series & Voltage	Failure Mode	Turn-On Level (fc)	Filter	Certification	Cover Color	Pkg. Qty.		
DLL127 120-277V	[blank] Fail On	1.5 ANSI Std.	[blank] Std. Operation	[blank] Std.	[blank] Std. ¹	JU	1 Unit	
DLL347 340V	F Fail Off		IR IR Filtered Silicon	CUL CULus	BK Black ²	J12	12 Units	
DLL480 480V					BR Brown ²	J50	50 Units	
					GR Green ²			
					GY Gray ²			
					BL Blue ²			
					YL Yellow ²			

NOTES

1. No color substitutions for UL models.
2. Non-standard custom colors are non-stock items. Available in J12 and J50 only. Consult customer service.

STOCKED MODEL NUMBERS

Model #	Description	Pkg. Qty.
DLL127 1.5	120-277V Fail- On (non-UL)	JU, J12, J50
DLL127F 1.5	120-277V Fail- Off (non-UL)	JU, J12, J50
DLL127F 1.5 CUL	120-277V Fail- Off	JU, J12, J50
DLL127 1.5 CUL	120-277V Fail- On	JU, J12, J50
DLL347F 1.5 CUL	347V Fail- Off	JU, J12, J50
DLL347 1.5 CUL	347V Fail- On	JU, J12, J50
DLL480F 1.5 CUL	480V Fail- Off	JU, J12, J50
DLL480 1.5 CUL	480V Fail- On	JU, J12, J50

Models not listed above are subject to the standard 60 day lead-time.