

STREETWISE[®]

STREET LIGHT CONNECTORS



UTILCO[®]
connections
matter

STREETWISE®

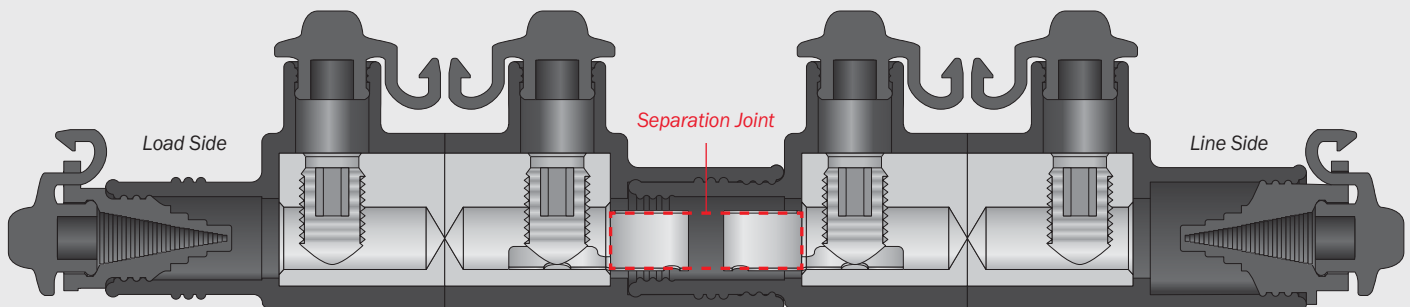
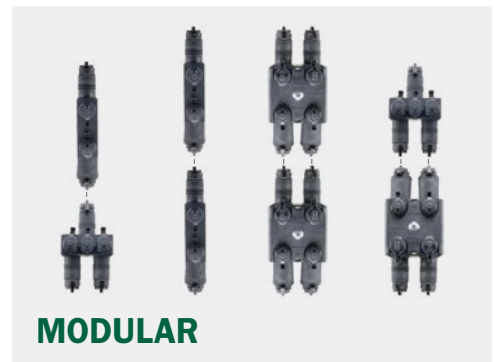
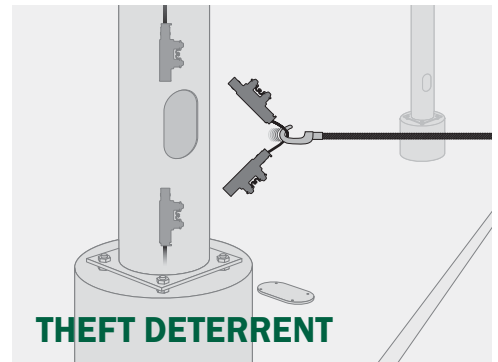
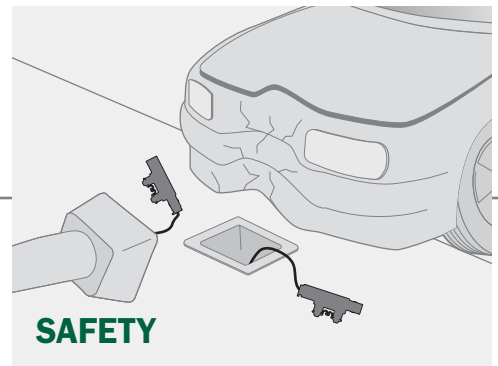
UTILCO's StreetWise Streetlight Connectors are designed for applications where a breakaway connection with a touch safe separation joint is required. The breakaway connection can also be utilized to deter theft by not allowing thieves to remove cable from utility poles, resulting in costly repairs and replacement. With its modular design, StreetWise allows multiple configurations with fewer connectors; reducing inventory and saving money.

Features

- Environmentally sealed
- Watertight encapsulated high dielectric strength polymer
- Manufactured from high strength aluminum alloy
- Precision engineered separation joint
- Fuse capable
- Able to selectively fuse two loads with a single line
- Compact design
- Interchangeable wire & screw port plugs
- Cap retention hook
- Available in four circuit configurations
- Inverted wire way seals with pre-marked trim locations
- Rated for 600 volts
- Meets or exceeds ANSI 119.1 and 119.4
- DE-OX® oxide inhibiting compound optional

Benefits

- Resists corrosion from moisture
- Does not require additional boot to achieve watertight connection
- Suitable for use with copper or aluminum conductors
- Safe breakaway on impact, theft deterrent
- Overcurrent protection
- A single connector is required which reduces cost
- Easily accessible in small hand holes
- Seals any entry port of the connector
- Tethered for re-insertion if required
- Application versatility
- Easily accommodates wire range 1/0-14
- For use in low voltage applications
- Suitable for direct burial
- Prevents oxides from forming



UTILCO
connections
matter

More than a connector company,
ILSCO is a connections company.
CONNECTIONS MATTER.

4730 Madison Road
Cincinnati, Ohio 45227
800.776.9775
sales@ilsco.com
www.utilco.com

Follow us on:  